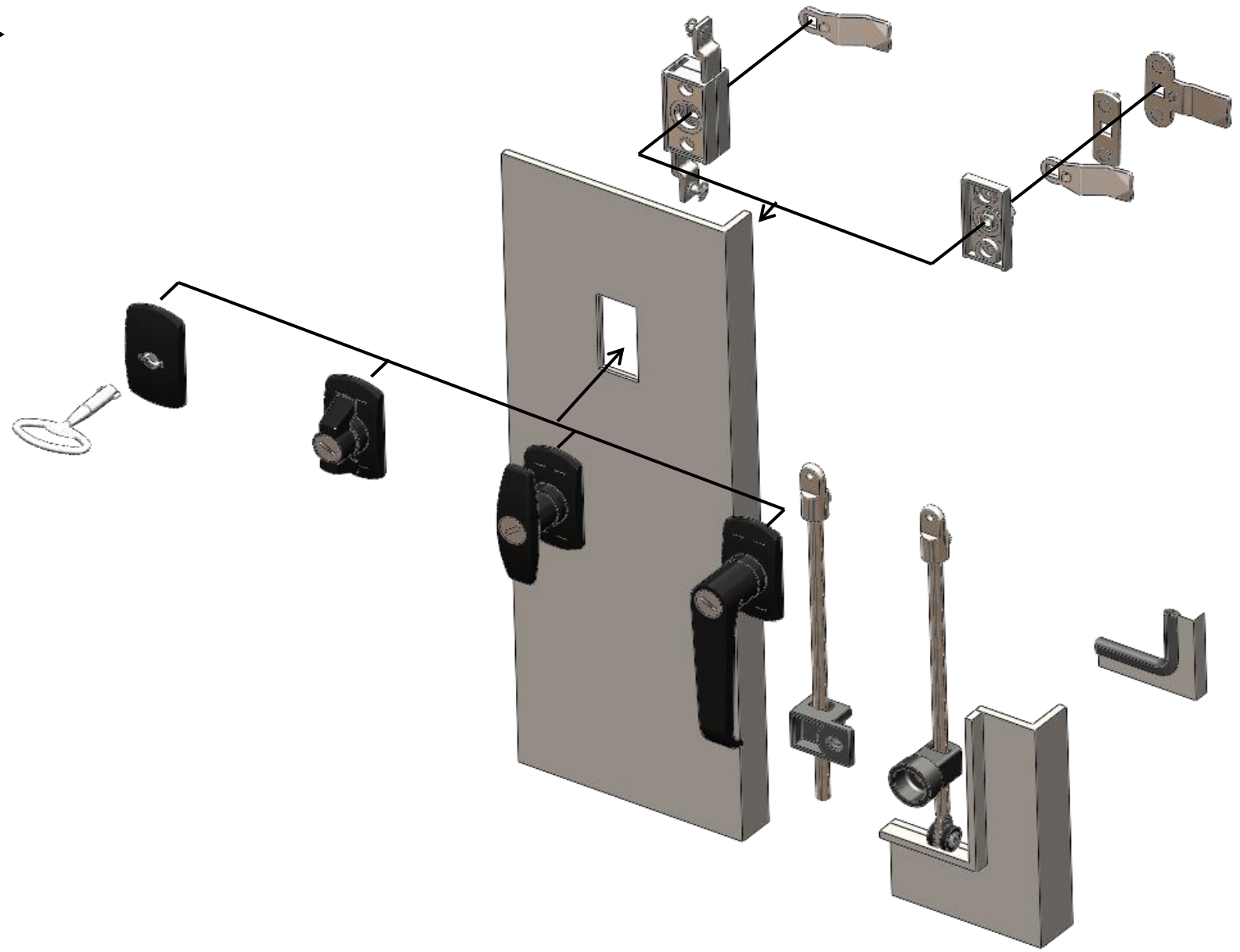
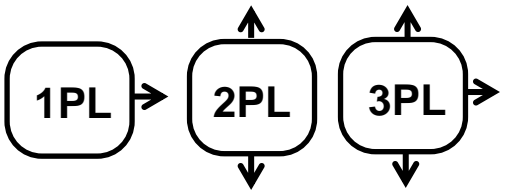
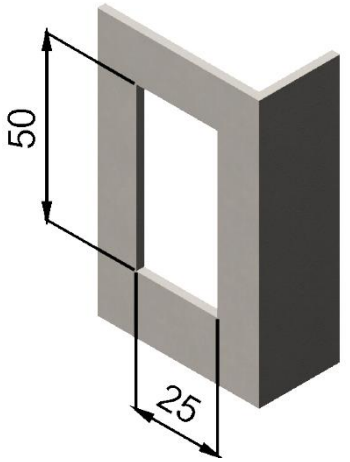


# Multi Point Locking Selection Guide

A brief guide to what parts are needed for 1, 2 and 3 point locking



Mounting Hole

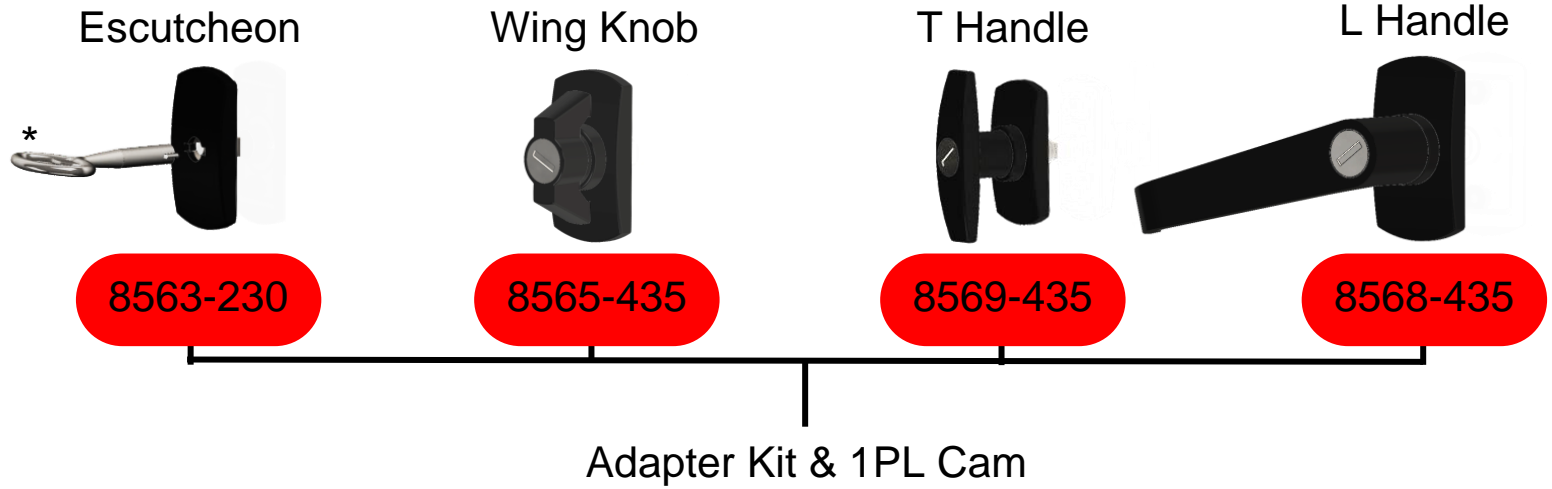


# 1 Position Locking

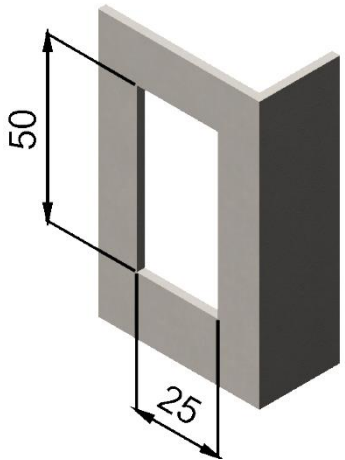
Suitable for a 50x25 mounting hole



\*Key sold separately 8580-202

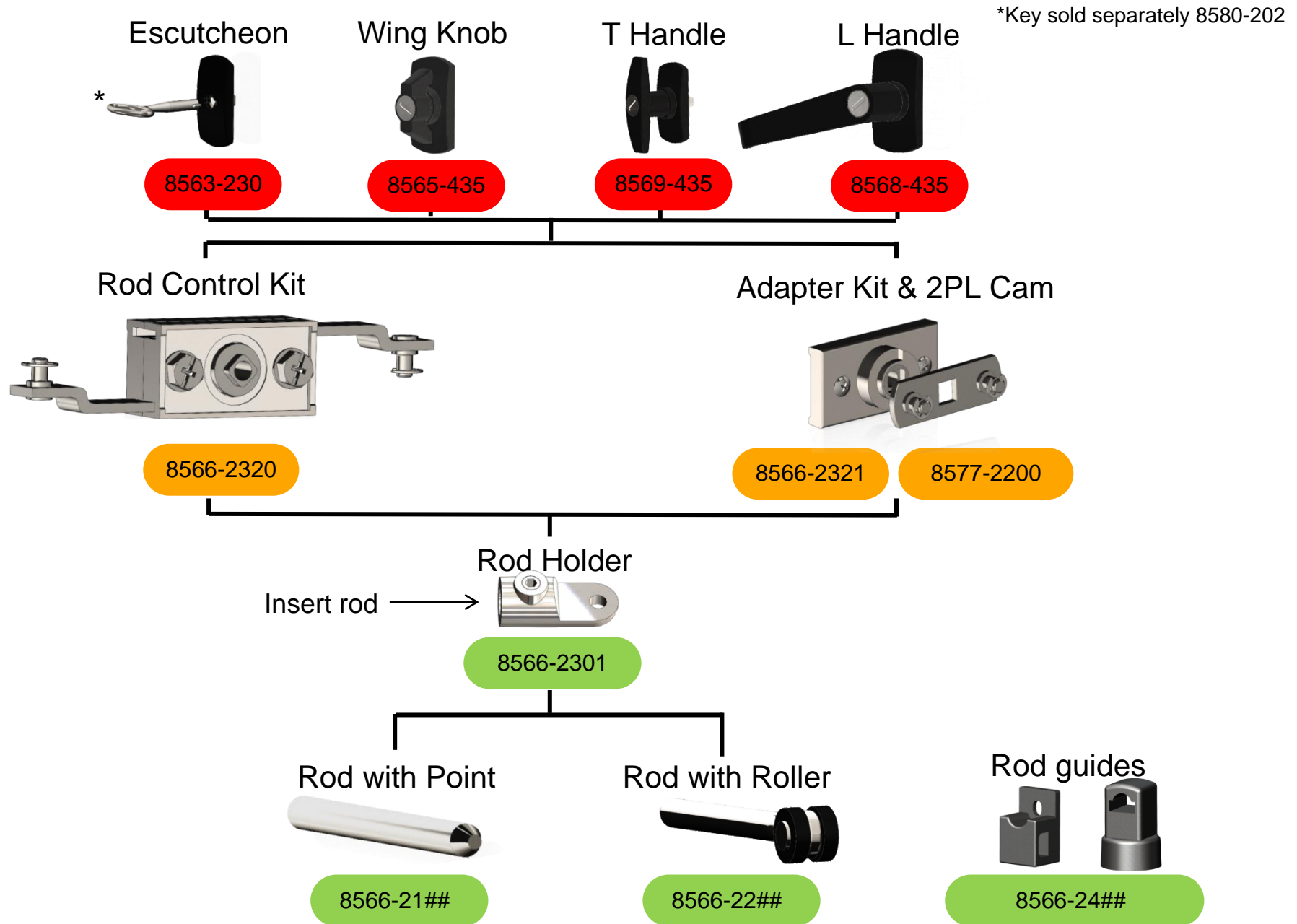


Mounting Hole



# 2 Position Locking

Suitable for a 50x25 mounting hole

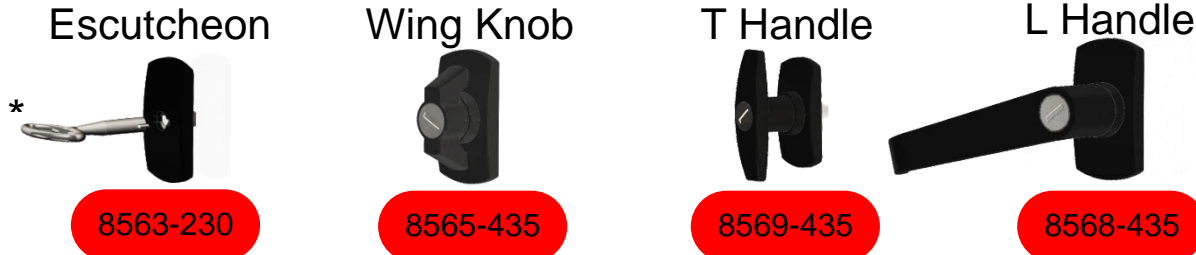


# 3 Position Locking

Suitable for a 50x25 mounting hole



\*Key sold separately 8580-202



Rod Control Kit & 1PL Cam

Adapter Kit & 3PL Cam



8566-2320 8577-21##

8566-2321 8577-23##

Rod Holder

Insert rod →



8566-2301

Rod with Point



8566-21##

Rod with Roller



8566-22##

Rod guides



8566-24##

Mounting Hole

